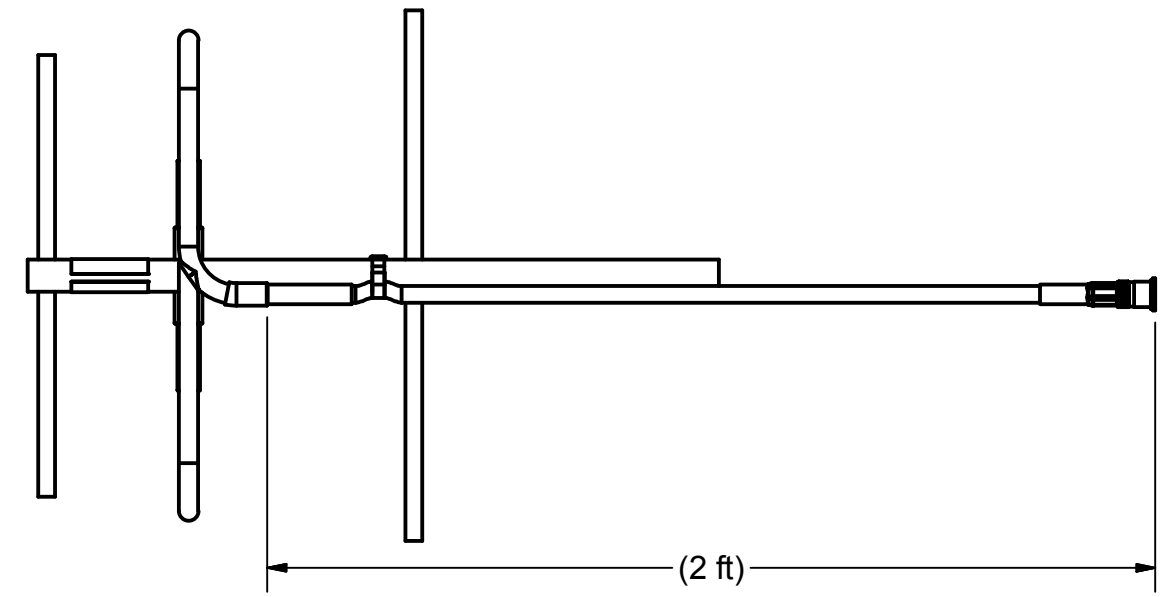
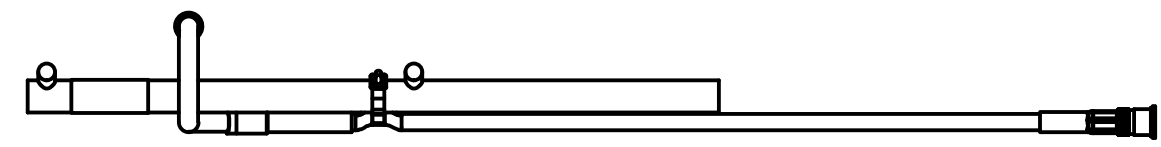
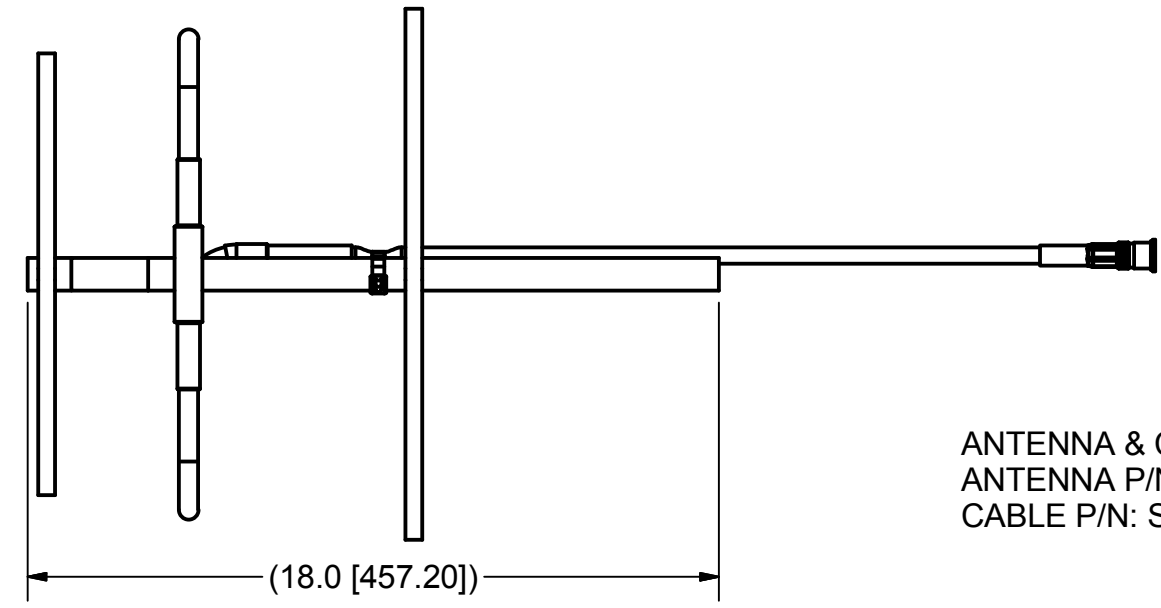
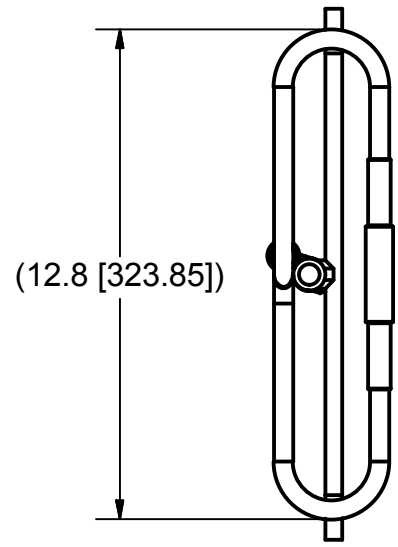


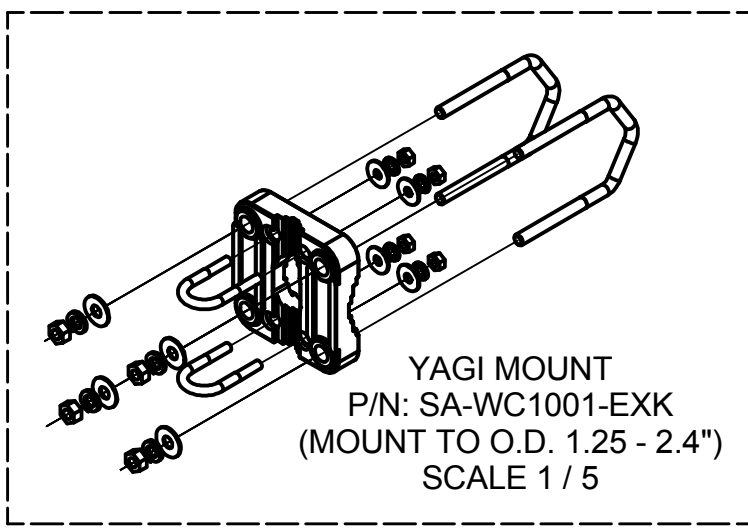
NOTES: UNLESS OTHERWISE SPECIFIED

1. INTERPRET DRAWING PER ANSI/ASME Y14.5
2. TEST PER ANTENNA ELECTRICAL SPECIFICATIONS.
 FREQUENCY RANGE: 403-430 MHz
 NOMINAL IMPEDANCE: 50 Ohms
 NOMINAL GAIN: 6.5 dBd
 MAX POWER: 250 WATTS
3. DIMENSIONS IN PARENTHESIS ARE FOR REFERENCE ONLY AND NO TOLERANCE IS IMPLIED.

REVISION HISTORY			
REV	DESCRIPTION	DATE	APPROVED
11	OUTLINE DIMENSIONAL DRAWING RELEASED	12MAR15	ML



ANTENNA & CABLE ASSEMBLY
 ANTENNA P/N: SK-MY403-G-F1
 CABLE P/N: SA-5502N4-B2-14813



YAGI MOUNT
 P/N: SA-WC1001-EXK
 (MOUNT TO O.D. 1.25 - 2.4")
 SCALE 1 / 5

INSTRUCTION SHEET

UNLESS OTHERWISE SPECIFIED DUAL DIMENSIONING XX.Xin [XX.Xmm]	DRAWN IP	DATE 2/23/2012
	CHECKED	DATE
FOR TOLERANCES NOT SPECIFIED USE: X.X in ± .1 in, X.XX in ± .01 in, X.XXX in ± .005 in [X mm ± 3 mm], [X.X mm ± .3 mm], [X.XX mm ± .13 mm] ANGULAR ± 1°, FRACTIONAL ± 1/64	MATERIAL: SEE COMP. PRINTS	
THIRD ANGLE PROJECTION 	FINISH: SEE COMP. PRINTS	

PCTEL PROPRIETARY DATA
 THE INFORMATION AND/OR DRAWINGS CONTAINED IN THIS DOCUMENT IS CONFIDENTIAL AND PROPRIETARY TO PCTEL, INC. AND MAY NOT BE USED, REPRODUCED, IN WHOLE OR IN PART, OR MODIFIED IN ANY WAY WITHOUT THE EXPRESS WRITTEN PERMISSION OF AN AUTHORIZED REPRESENTATIVE OF PCTEL, INC.

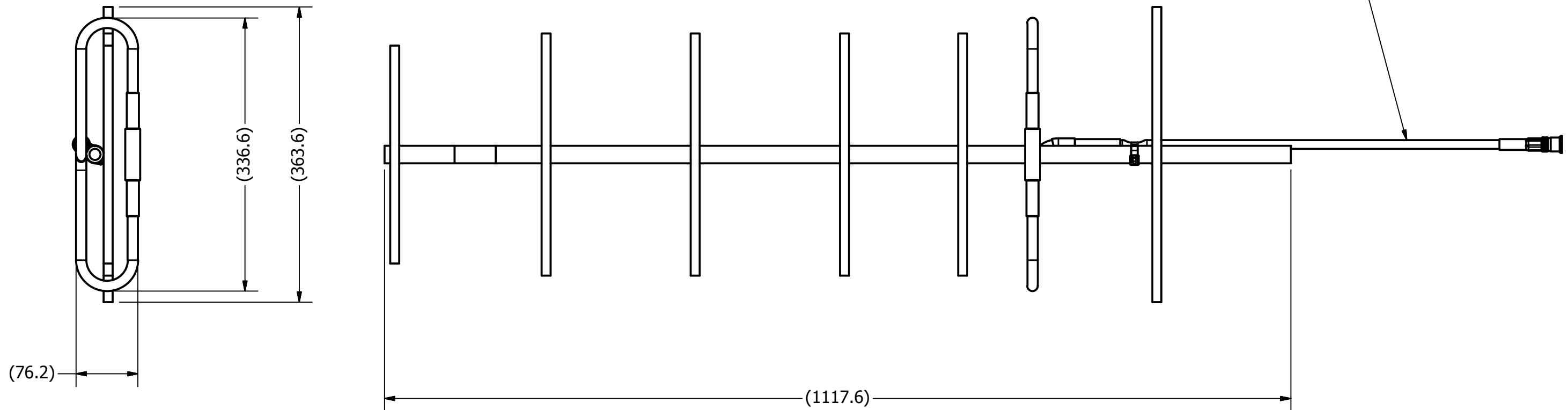
	PCTEL, INC. 471 BRIGHTON DRIVE BLOOMINGDALE, IL 60108 PH. 630-372-6800 FAX. 630-372-8077		
	DESCRIPTION 403-430 MHz, 6.5 dBd, 3 ELEMENT YAGI, N FEMALE, 2' JUMPER		
DRAWING NO.		ODD_BMYD403G	
SIZE	A3	SCALE	1/5
SHEET		1 OF 1	


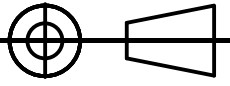
NOTES: UNLESS OTHERWISE SPECIFIED

1. A (REF) DIMENSION IS FOR INFORMATION PURPOSES ONLY AND NO TOLERANCE IS IMPLIED.
2. ELECTRICAL SPECIFICATIONS:

FREQUENCY RANGE: 403-430 MHz
GAIN: 10 dBd

REVISION HISTORY			
REV	DESCRIPTION	DATE	APPROVED
D	OUTLINE DIMENSIONAL DRAWING RELEASED	8/14/2017	CV



SUPPLIER PRINT ACCEPTANCE: <input type="checkbox"/> Accept drawing/specification: No changes needed: <input type="checkbox"/> This part is RoHS compliant <input type="checkbox"/> This part is REACH compliant <input type="checkbox"/> Accept drawing/specification. Notes/Mark-ups added <input type="checkbox"/> Cannot accept drawing/spec. Notes/Mark-ups added Supplier Projected Outgoing Quality: SIGMA LEVEL : _____ or PPM: _____ Signature _____ Date: _____	UNLESS OTHERWISE SPECIFIED DIMENSIONS ARE IN MILLIMETERS FOR TOLERANCES NOT SPECIFIED USE: [X mm ± 3 mm] [X.X mm ± .3 mm] [X.XX mm ± .13 mm] ANGULAR± 1°	DRAWN DATE CV 8/14/2017 CHECKED DATE	 PCTEL, INC. 471 BRIGHTON DRIVE BLOOMINGDALE, IL 60108 PH. 630-372-6800 FAX. 630-372-8077	
	THIRD ANGLE PROJECTION 	MATERIAL: FINISH:		DESCRIPTION 403-430 MHz 10 dBd 7 ELEMENT YAGI, N FEMALE, 2' JUMPER
	PCTEL PROPRIETARY DATA THE INFORMATION AND/OR DRAWINGS CONTAINED IN THIS DOCUMENT IS CONFIDENTIAL AND PROPRIETARY TO PCTEL, INC. AND MAY NOT BE USED, REPRODUCED, IN WHOLE OR IN PART, OR MODIFIED IN ANY WAY WITHOUT THE EXPRESS WRITTEN PERMISSION OF AN AUTHORIZED REPRESENTATIVE OF PCTEL, INC.			DRAWING NO. ODD_BMYD403K
	SIZE B SCALE .2 SHEET 1 OF 1			